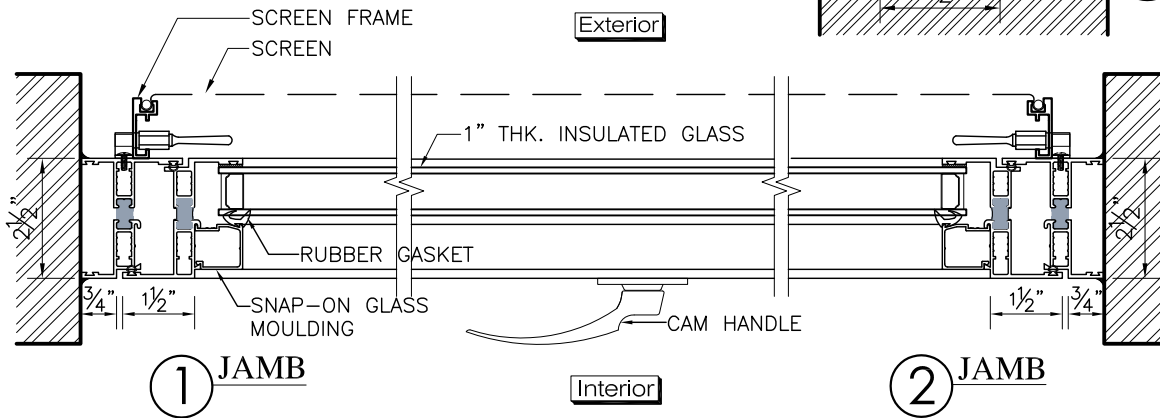
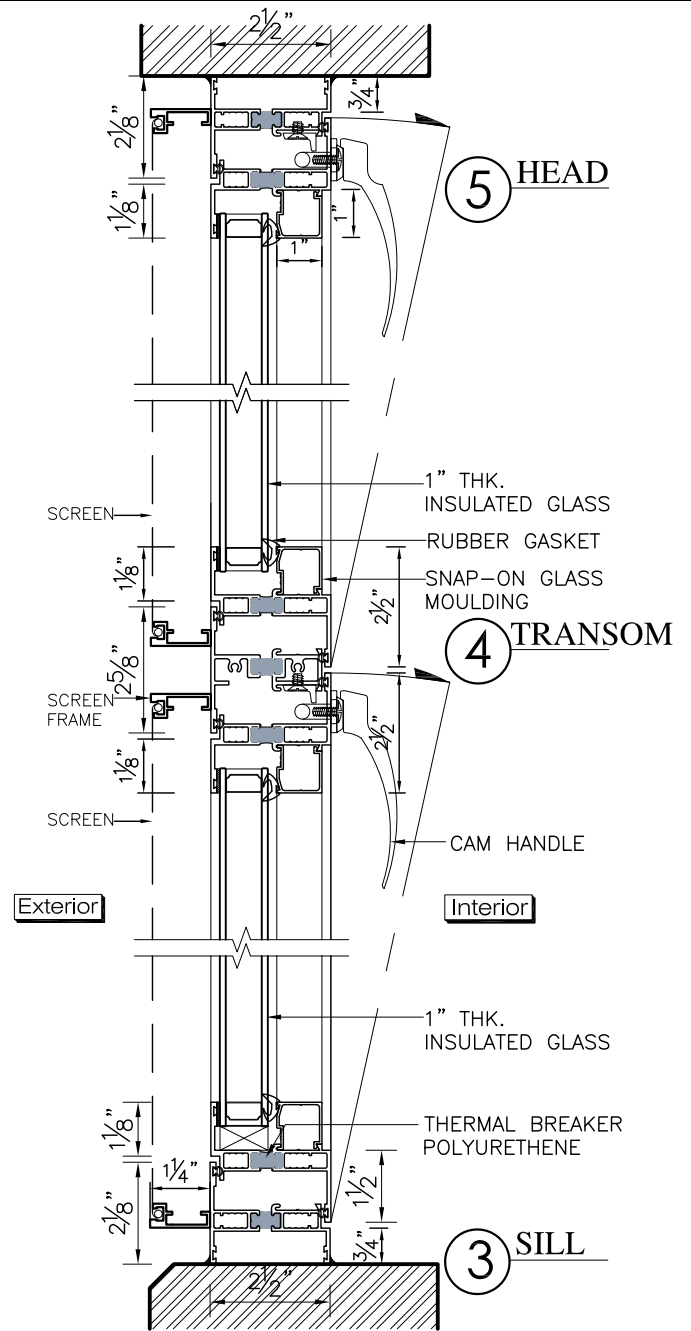


HOPPER WINDOWS (W250C)
W/ SCREEN



TYPICAL SECTIONAL DETAILS

SCALE: 3" = 1'-0"

SHEET #	Drawn by: K.S. Lee	Customer	Revisions			
	Checked by: C. Chan		No.	Date	Description	
	Date:					
	Scale:					
	Project :					



GAMCO CORPORATION
MANUFACTURERS OF FENESTRATION PRODUCTS
131-10 MAPLE AVE. FLUSHING, N.Y. 11355
TEL: (718)359-8833 FAX: (718)359-8661
info@gamcocorp.com www.gamcocorp.com