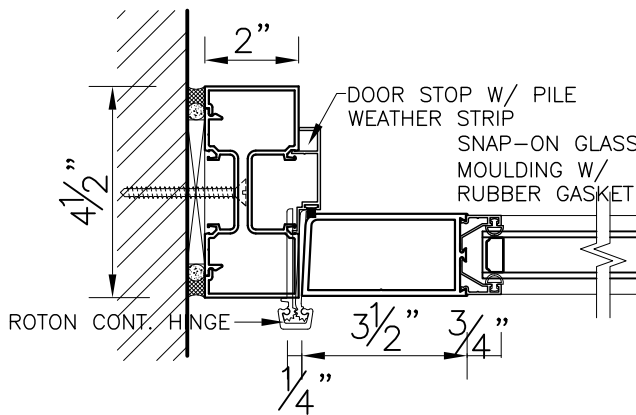
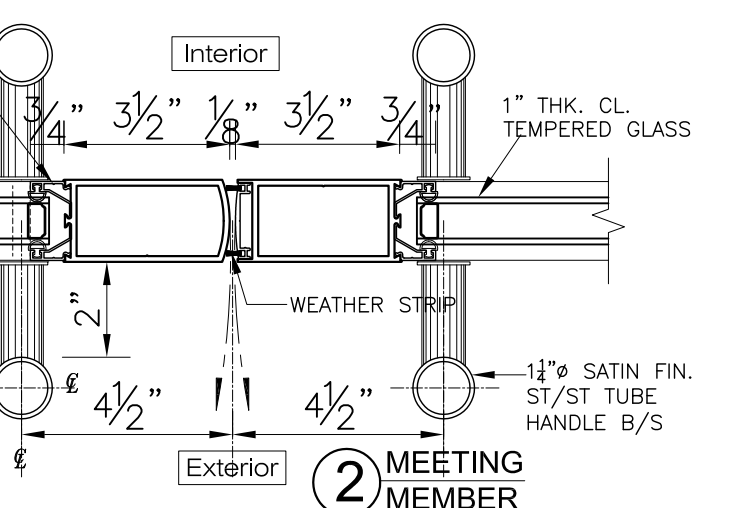
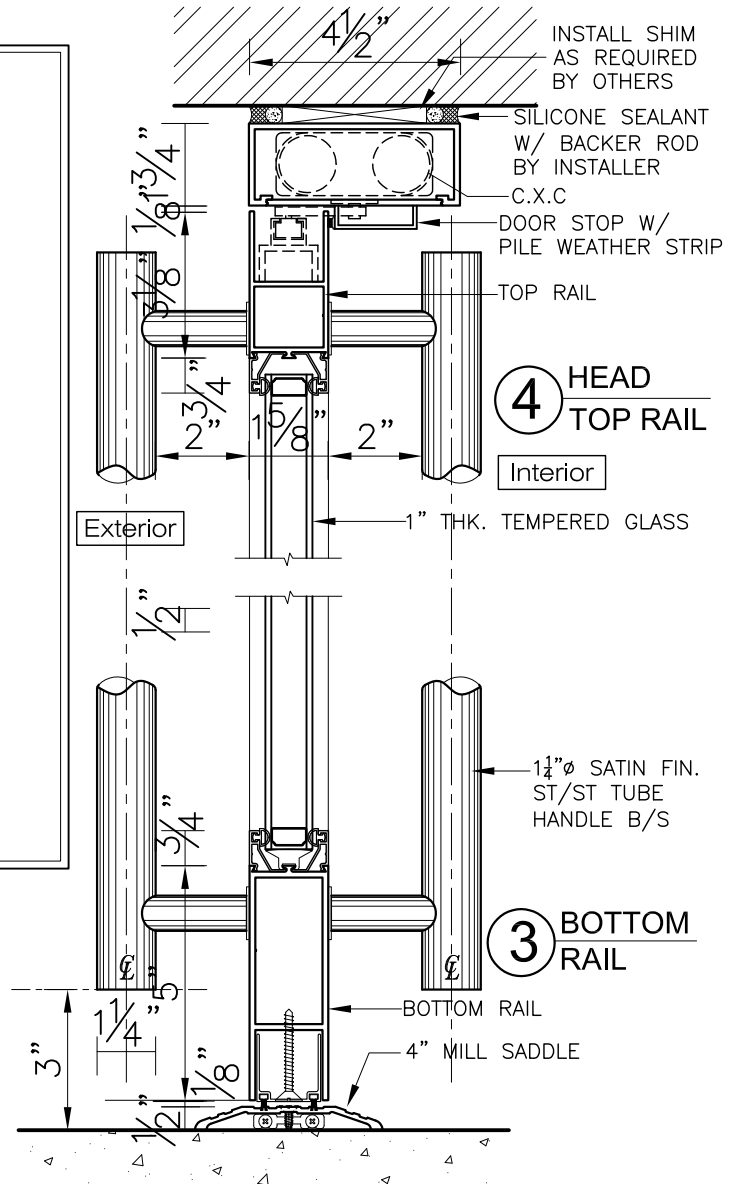



**D350 SERIES  
MEDIUM STILE DOOR W/  
ST/ST TUBE HANDLE**



**1 JAMB**

**2 MEETING MEMBER**

SHEET #	Drawn by: K. S. Lee	Customer	Revisions			 <b>GAMCO CORPORATION</b> MANUFACTURERS OF FENESTRATION PRODUCTS 131-10 MAPLE AVE. FLUSHING, N.Y. 11355 TEL: (718)359-8833 FAX: (718)359-8661 info@gamcocorp.com www.gamcocorp.com
	Checked by: C. Chan		No.	Date	Description	
	Date:					
	Scale: 3" : 1'-0"		Project :			