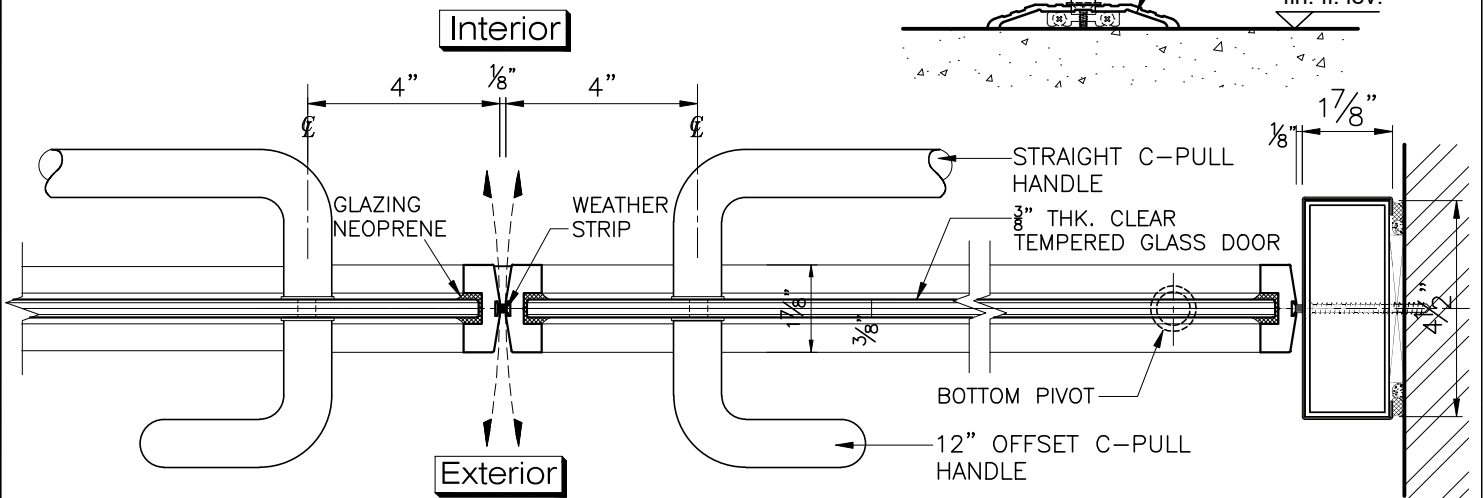
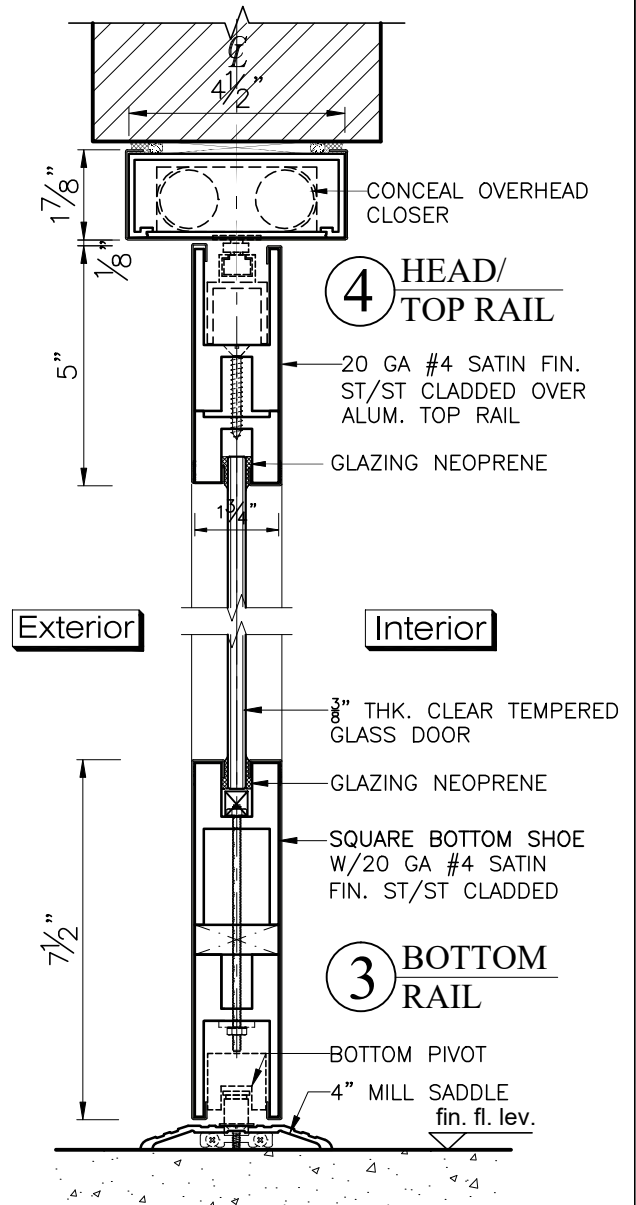


I-LINE PAIR DOOR WITH ST. STL. SHEET CLADDING



TYPICAL SECTIONAL DETAILS

SCALE: 3" = 1'-0"

SHEET #	Drawn by:	Customer	Revisions		
	Checked by:		No.	Date	Description
	Date:				
	Scale:				
	K.S.Lee				
	C. Chan				
		Project :			
	3" = 1'-0"				



GAMCO CORPORATION
 MANUFACTURERS OF FENESTRATION PRODUCTS
 131-10 MAPLE AVE. FLUSHING, N.Y. 11355
 TEL: (718)359-8833 FAX: (718)359-8661
 info@gamcocorp.com www.gamcocorp.com