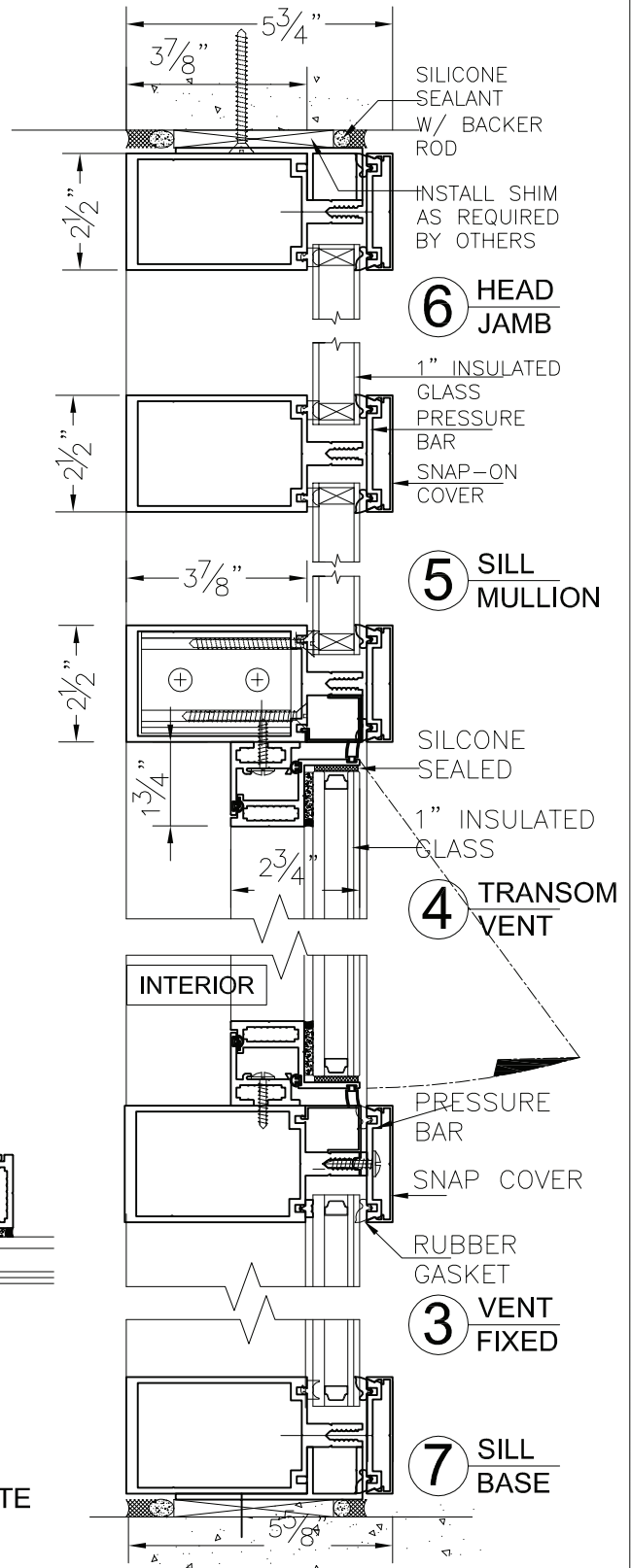
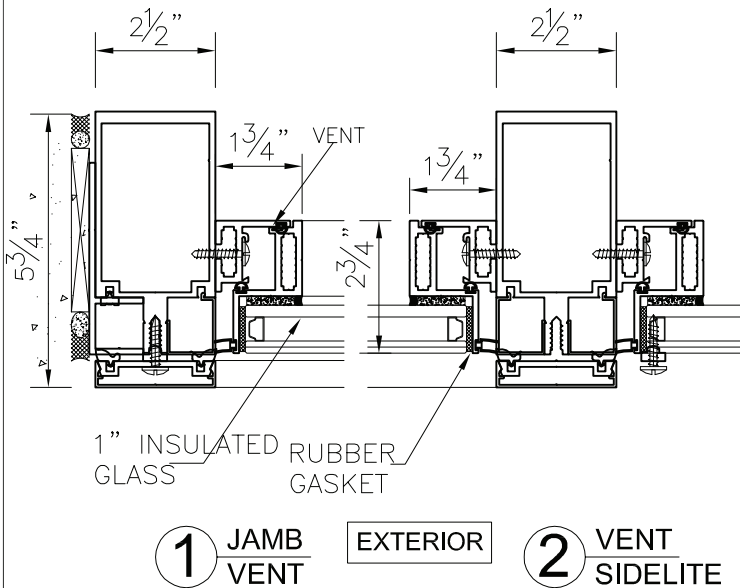



**CW250 SERIES
CURTAIN WALL SYSTEM**



SHEET #	Drawn by: K. S. Lee	Customer	Revisions		
	Checked by: C. Chan		No.	Date	Description
	Date:				
	Scale: 3" = 1'-0"				
	Project Name:		 GAMCO CORP. MANUFACTURER OF QUALITY FENESTRATION PRODUCTS 131-10 Maple Ave. Flushing, N.Y. 11355 Tel: (718) 359-8833 Fax: (718) 359-8661 info@gamcocorp.com www.gamcocorp.com		