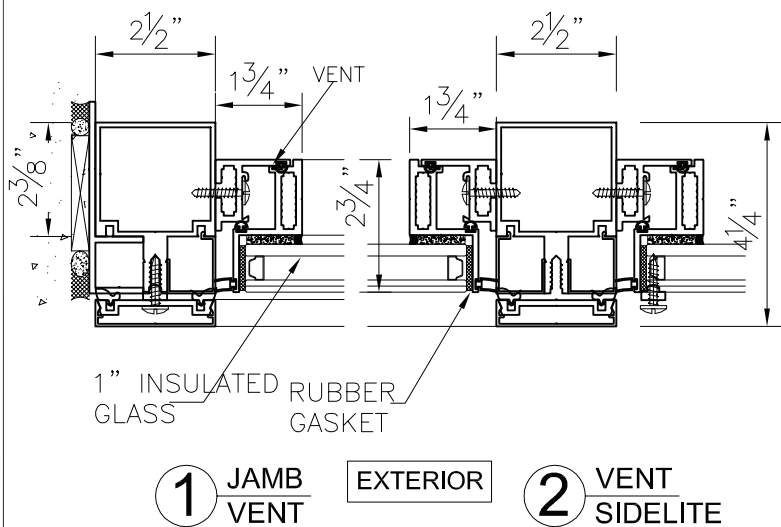


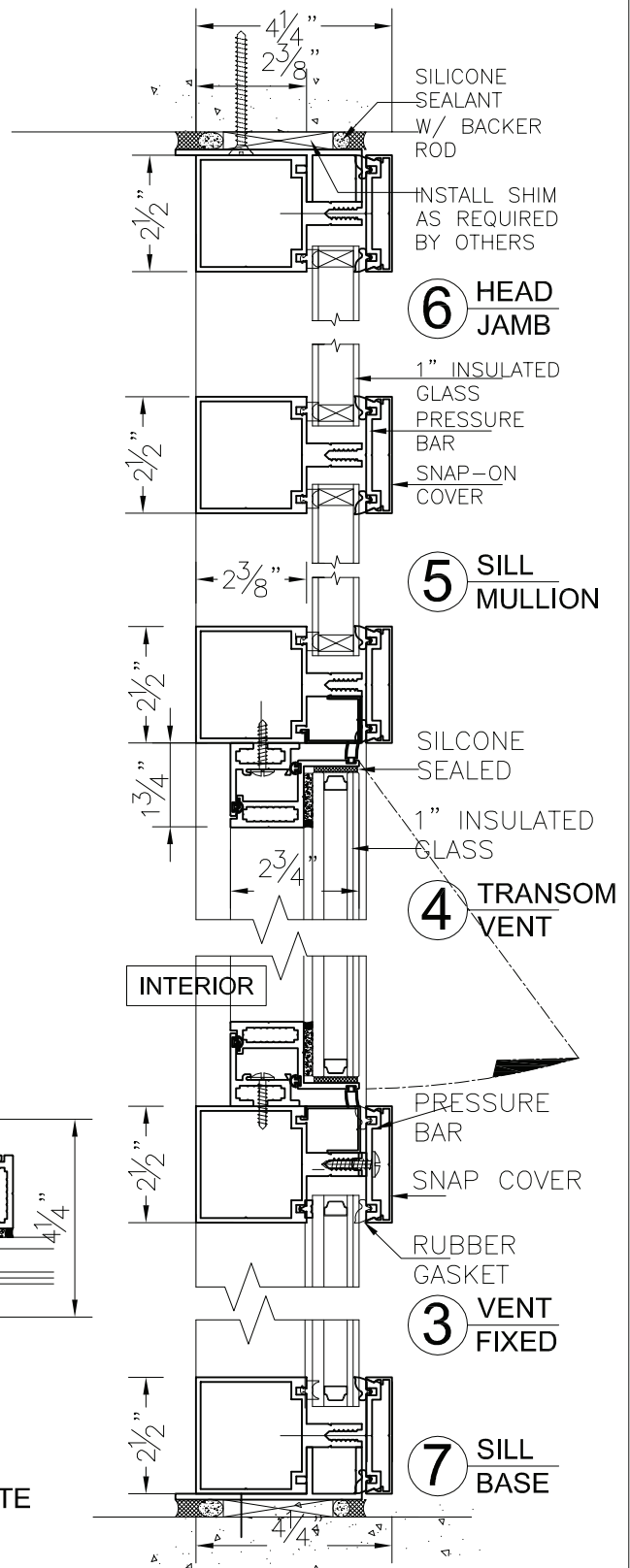
**CW250 SEIRES
CURTAIN WALL SYSTEM**



1 JAMB VENT

EXTERIOR

2 VENT SIDELITE



6 HEAD JAMB

5 SILL MULLION

4 TRANSOM VENT

3 VENT FIXED

7 SILL BASE

SHEET #	Drawn by: K. S. Lee	Customer
	Checked by: C. Chan	
	Date:	
	Scale: 3" = 1'-0"	

Project Name:		

Revisions		
No.	Date	Description



GAMCO CORP.
 MANUFACTURER OF QUALITY FENESTRATION PRODUCTS
 131-10 Maple Ave. Flushing, N.Y. 11355
 Tel: (718) 359-8833 Fax: (718) 359-8661
 info@gamcocorp.com www.gamcocorp.com