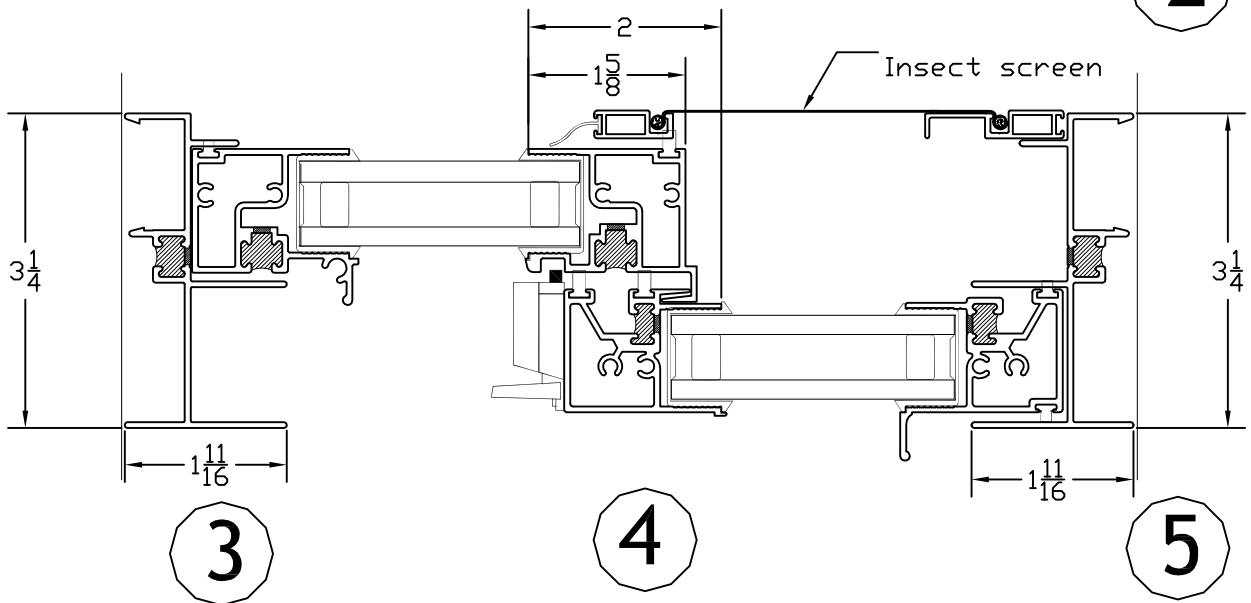
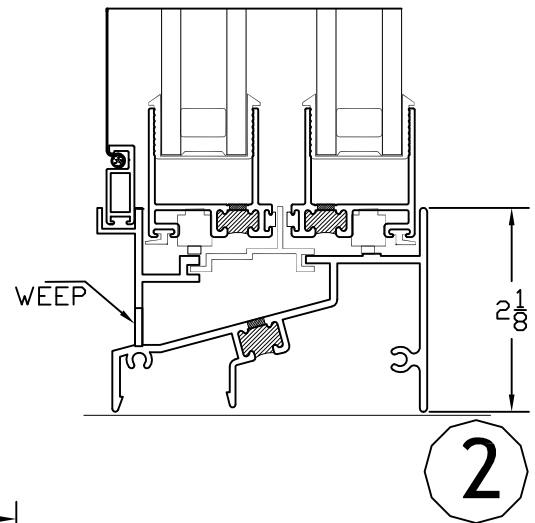
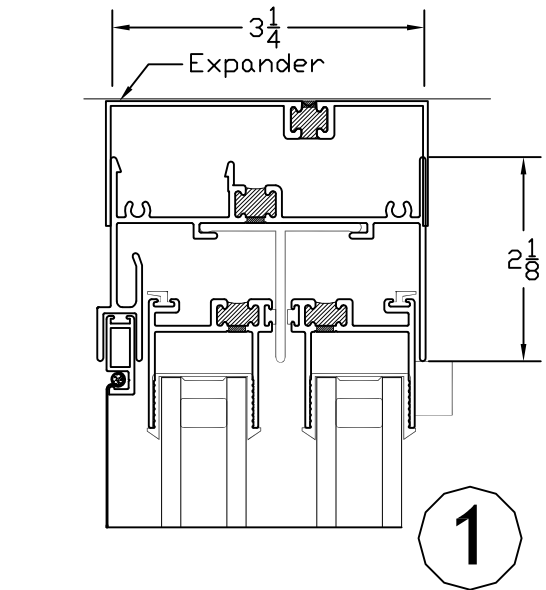


W350 SERIES SLIDER



SHEET #
 Drawn by: C. CHAN
 Checked by:
 Date:
 Scale: $1/2" : 1"$

Customer
 Project Name:

Revisions		
No.	Date	Description



Gamco Corporation
 Manufacturer of IRISION™ Products
 131-10 Maple Ave.
 Flushing, New York 11355
 Tel (718) 359-8833 Fax (718) 359-8661
 E-mail: gamco88@verizon.net