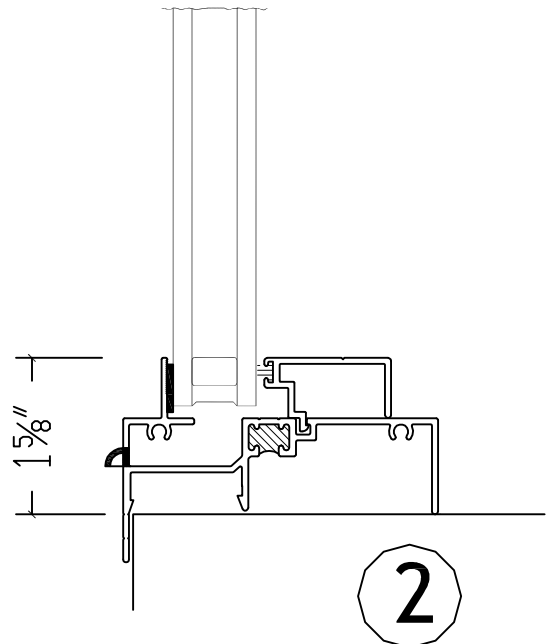
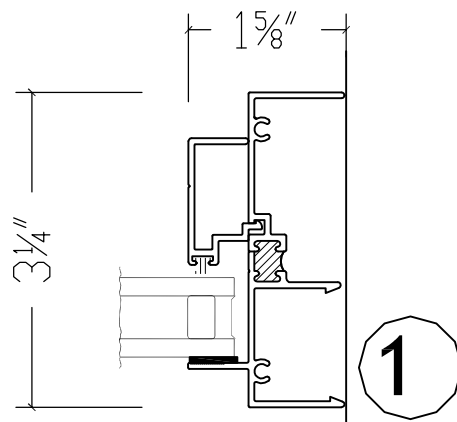



W350 SERIES FIXEDLITE



SHEET #	<i>Drawn by:</i> C. CHAN	Customer	Revisions			 GAMCO CORP. MANUFACTURER OF QUALITY FENESTRATION PRODUCTS 131-10 Maple Ave. Flushing, N.Y. 11355 Tel: (718) 359-8833 Fax: (718) 359-8661 info@gamcocorp.com www.gamcocorp.com
	<i>Checked by:</i>		No.	Date	Description	
	<i>Date:</i>					
	<i>Scale:</i> 6" = 1'-0"					
	Project Name:					