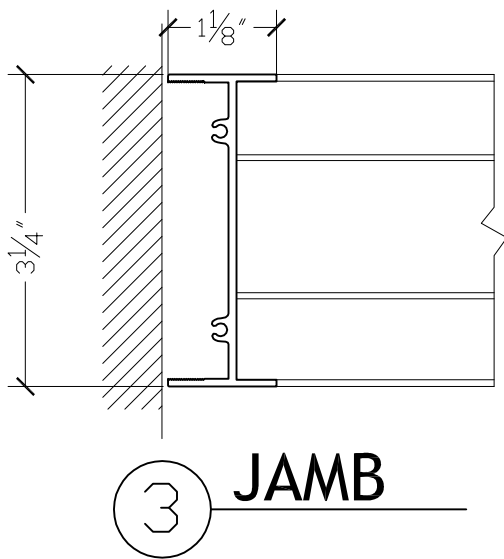
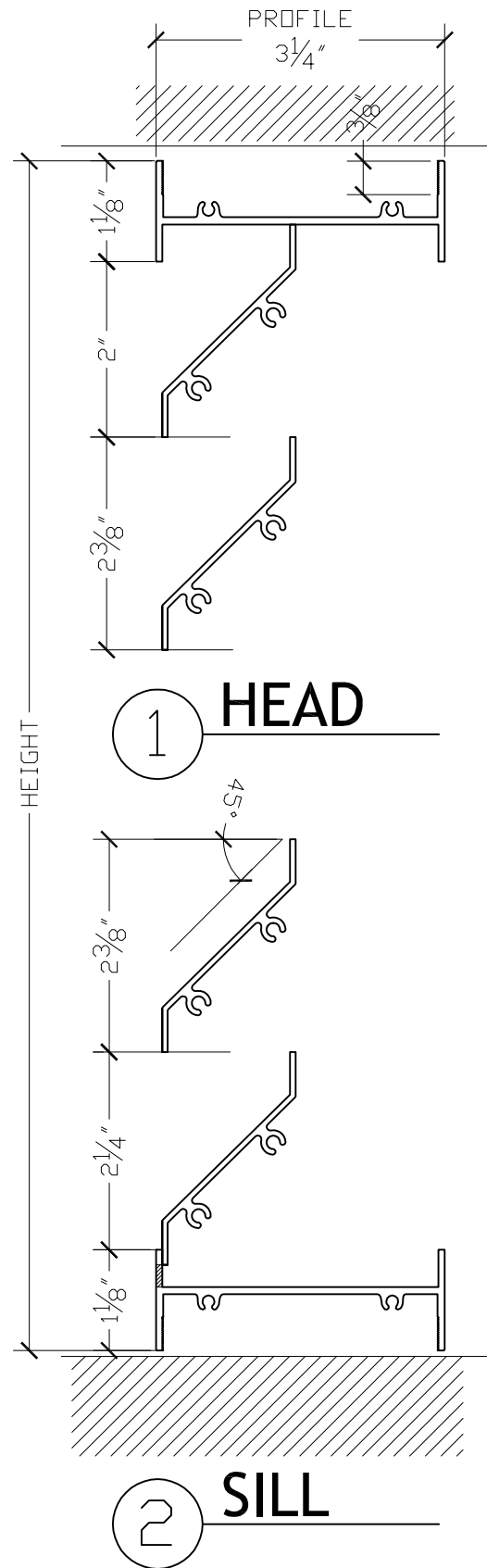


**L325 SERIES LOUVER
45° ANGLE BLADE**



3 JAMB



1 HEAD

2 SILL

SHEET #	Drawn by: C. CHAN	Customer
	Checked by:	
	Date:	Project Name: 45° ANGLE BLADE LOUVER
	Scale: 6" = 1'-0"	

Revisions		
No.	Date	Description



GAMCO CORP.
 MANUFACTURER OF QUALITY FENESTRATION PRODUCTS
 131-10 Maple Ave. Flushing, N.Y. 11355
 Tel: (718) 359-8833 Fax: (718) 359-8661
 info@gamcocorp.com www.gamcocorp.com