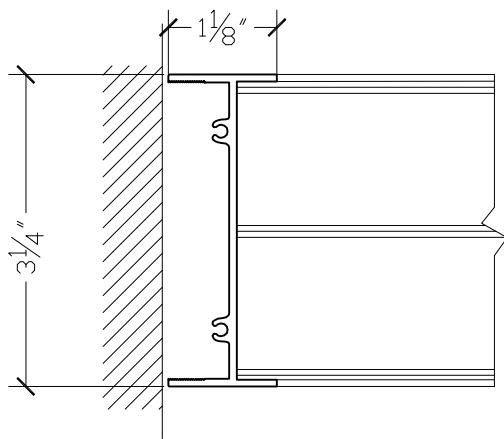
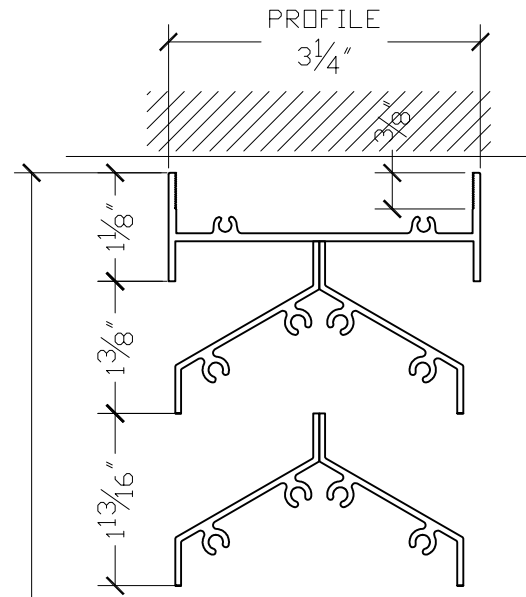


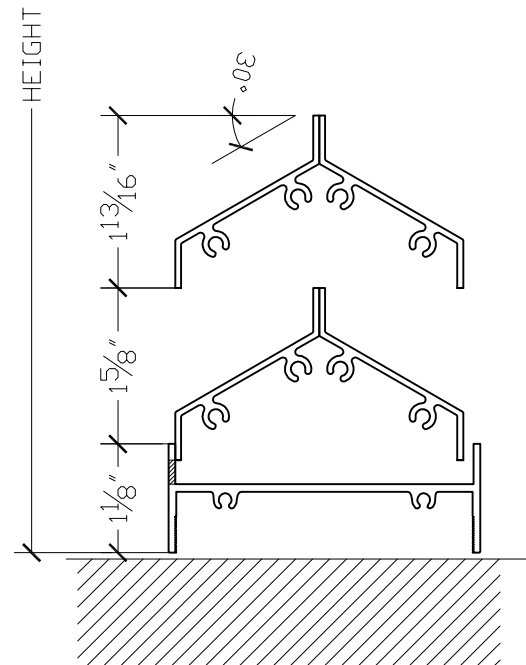
**L350 SERIES LOUVER  
30° ANGLE DOUBLE BLADE  
SIGHT PROOF**



**3 JAMB**



**1 HEAD**



**2 SILL**

SHEET #	Drawn by: C. CHAN	Customer
	Checked by:	
	Date:	
	Scale: 1/2" = 1'	

Project Name: 30° ANGLE BLADE SIGHT PROOF LOUVER
---

Revisions		
No.	Date	Description



**Gamco Corporation**  
 Manufacturer of IRISION™ Products  
 131-10 Maple Ave.  
 Flushing, New York 11355  
 Tel (718) 359-8833 Fax (718) 359-8661  
 E-mail: gamco88@verizon.net