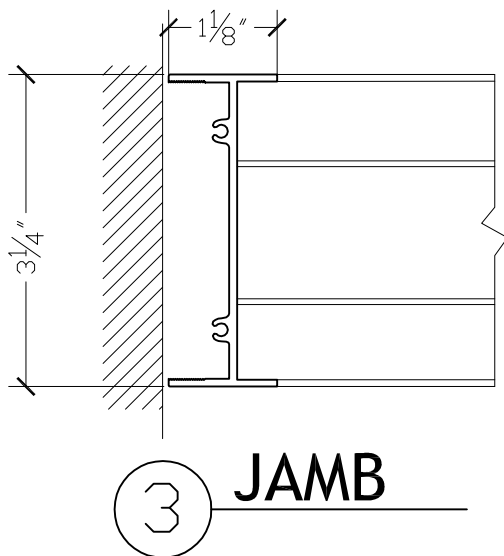
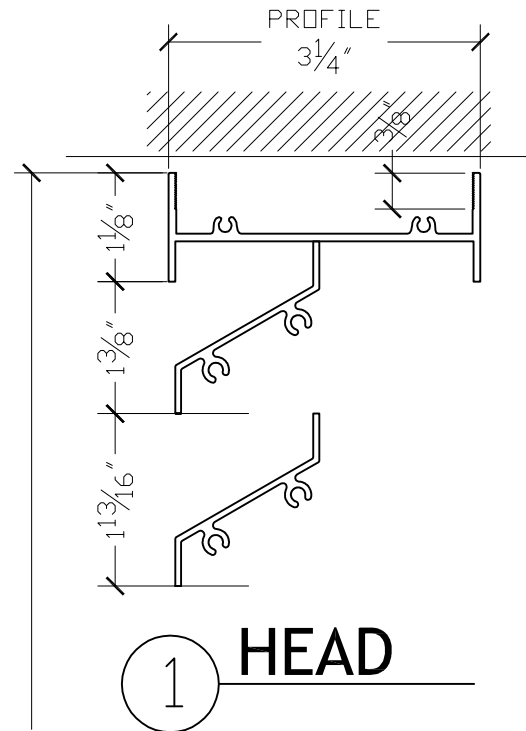


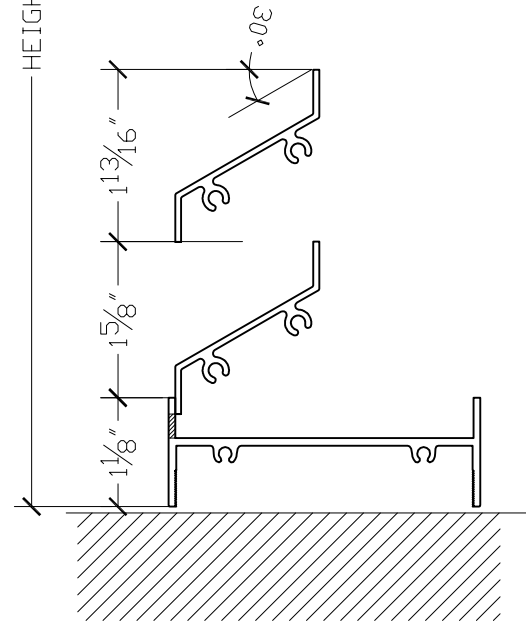
**L325 SERIES LOUVER
30° ANGLE BLADE**



3 JAMB



1 HEAD



2 SILL

SHEET #	Drawn by: C. CHAN	Customer
	Checked by:	
	Date:	
	Scale: 1/2" = 1'	

Project Name:
30° ANGLE BLADE LOUVER

Revisions		
No.	Date	Description



Gamco Corporation
 Manufacturer of IRISION™ Products
 131-10 Maple Ave.
 Flushing, New York 11355
 Tel (718) 359-8833 Fax (718) 359-8661
 E-mail: gamco88@verizon.net